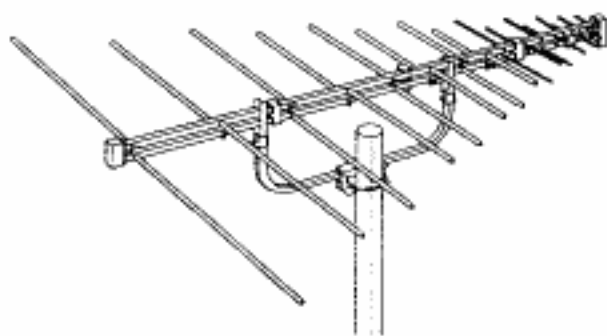


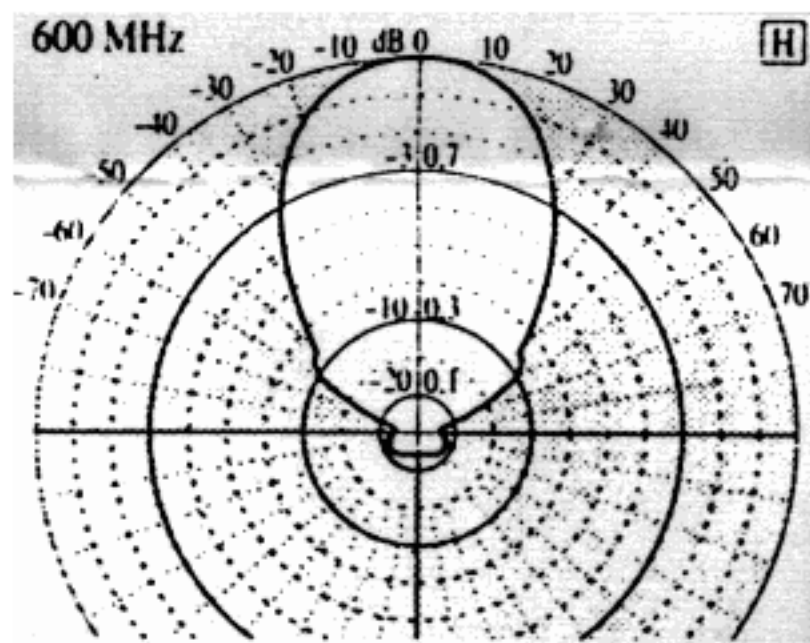
# Logarithmic periodic antennas

Wideband universal antennas for amateur radio, scanner use etc. Solid construction, boom and elements aluminum, complete with all mounting hardware, for horizontal or vertical mount.

Model	FULL
Frequency (MHz)	130-1300
Length (m)	2,0
Width (m)	1,3
Elements	24
Gain (dBD)	8
return loss (dB)	16
Weight (Kg)	2,0
Wind load at 120 km/h (N)	120
3dB angle H (degree)	61
3dB angle V (degree)	103
Connector	N
Max. Power (Watt)	500



Model FULL



Directional pattern of model FULL