

# AC centrifugal blowers and fans

single inlet, Ø 085



- **Material:** scroll housing made of die-cast aluminium, impeller made of galvanised sheet steel

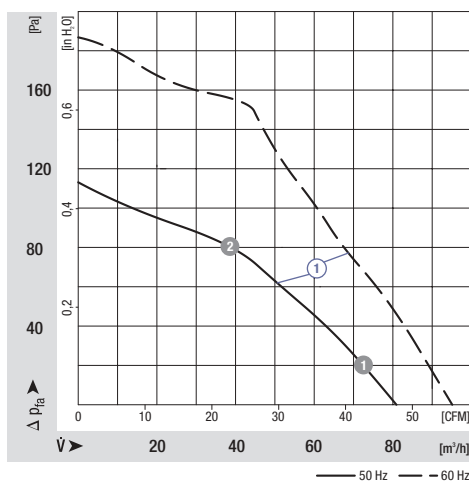
ebm-papst • Muldingen

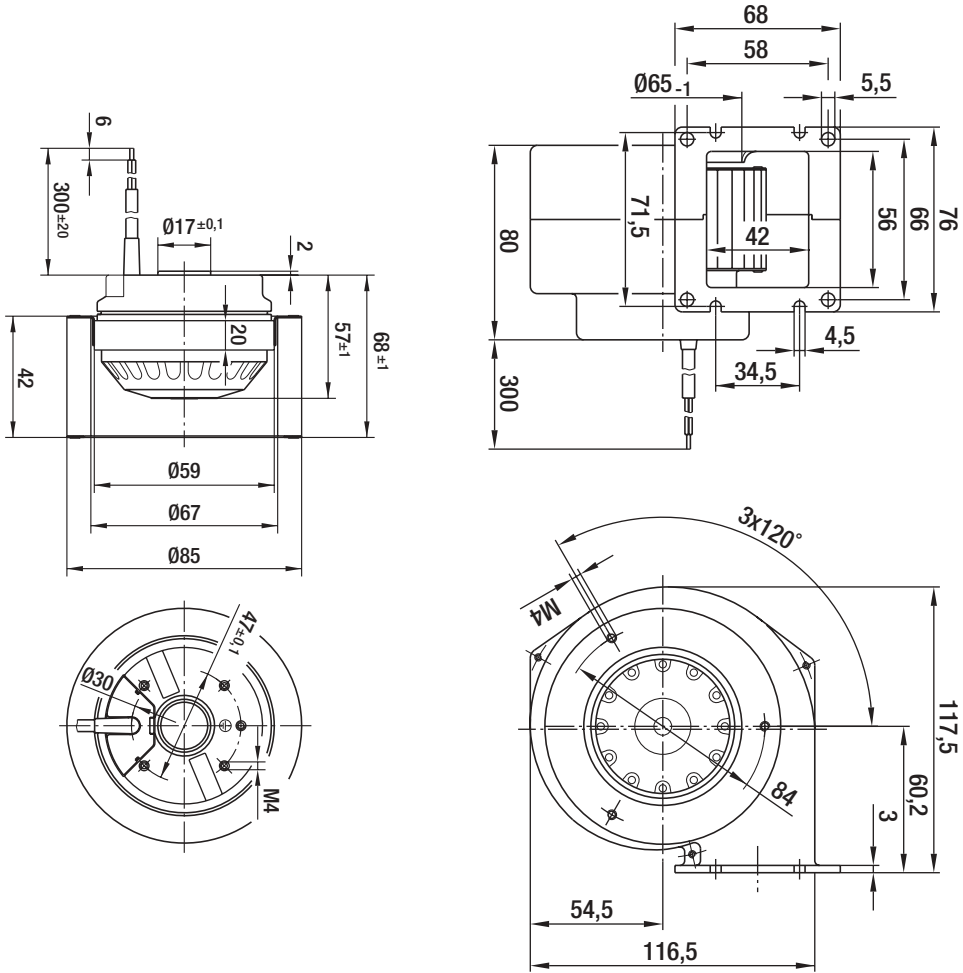
Nominal data		Characteristic	Voltage	Frequency	Air flow	Speed/rpm	Power input	Current draw	Capacitor	Noise level	Min. back pressure	Perm. amb. temp.	Mass
Type	Motor		VAC	Hz	m³/h	min⁻¹	W	A	µF/VDB	dB(A)	Pa	°C	kg
G2E 085-AA01 -01 <sup>(1)</sup>	M2E 042-CA	①	230	50	80	2350	32	0,15	1,0/400	53	0	60	0,9
R2E 085-AA01 -05 <sup>(1)</sup>			230	60	95	2800	30	0,14	1,0/400	57	0	70	0,7

subject to alterations ① FPU (P2) capacitor in keeping with IEC 252

	n [min⁻¹]	P <sub>1</sub> [W]
① ①	2430	32
① ②	2590	30

## Characteristics





Scroll dimensions  
S. 54

Inlet ring  
S. 341

Guard grille  
S. 343

Capacitor  
S. 356 f.