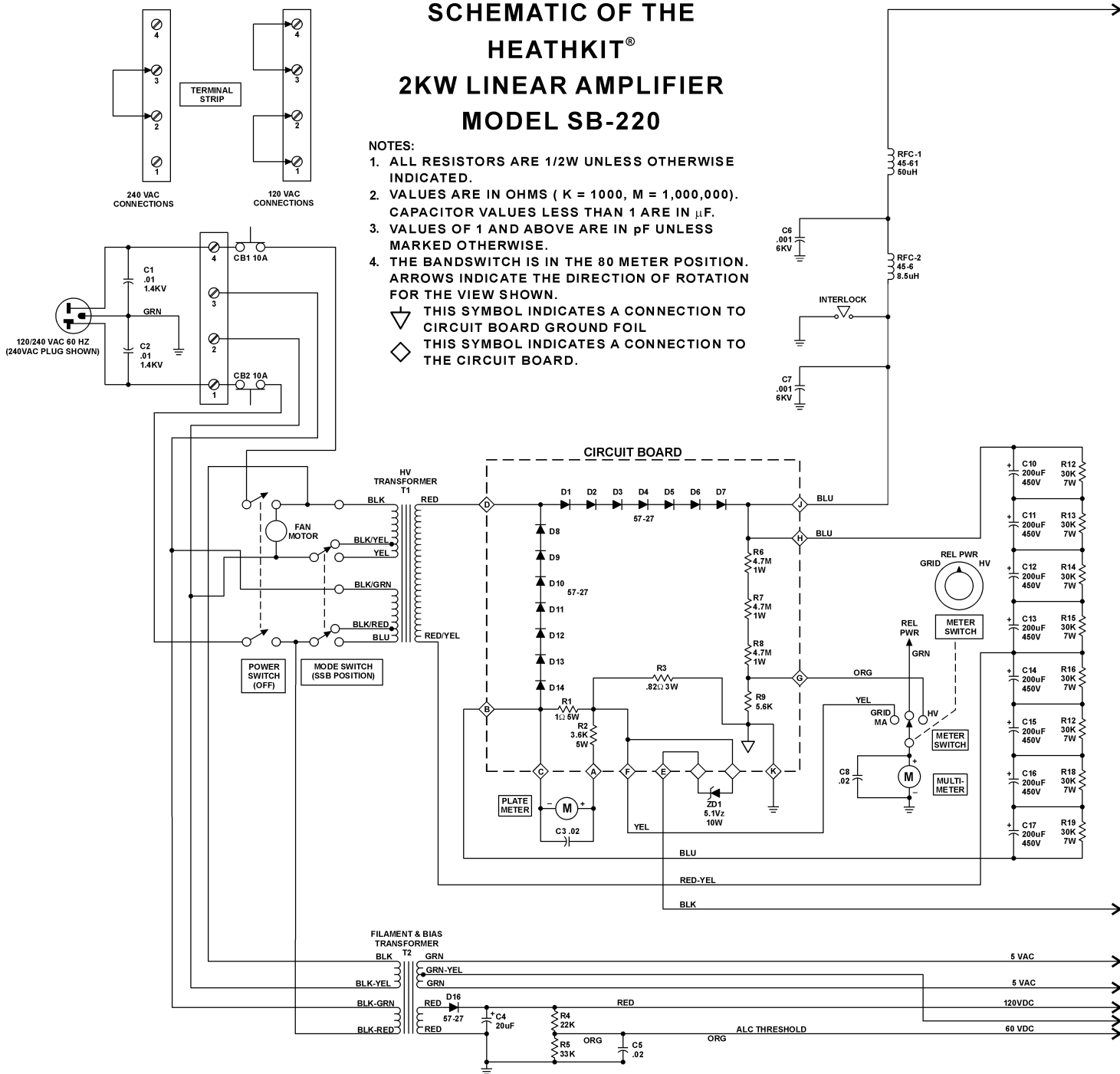


SCHEMATIC OF THE HEATHKIT® 2KW LINEAR AMPLIFIER MODEL SB-220

NOTES:

1. ALL RESISTORS ARE 1/2W UNLESS OTHERWISE INDICATED.
2. VALUES ARE IN OHMS (K = 1000, M = 1,000,000). CAPACITOR VALUES LESS THAN 1 ARE IN μ F.
3. VALUES OF 1 AND ABOVE ARE IN pF UNLESS MARKED OTHERWISE.
4. THE BANDSWITCH IS IN THE 80 METER POSITION. ARROWS INDICATE THE DIRECTION OF ROTATION FOR THE VIEW SHOWN.
 - ▽ THIS SYMBOL INDICATES A CONNECTION TO CIRCUIT BOARD GROUND FOIL
 - ◇ THIS SYMBOL INDICATES A CONNECTION TO THE CIRCUIT BOARD.



SCHEMATIC OF THE HEATHKIT® 2KW LINEAR AMPLIFIER MODEL SB-220 (PAGE 2 OF 2)

