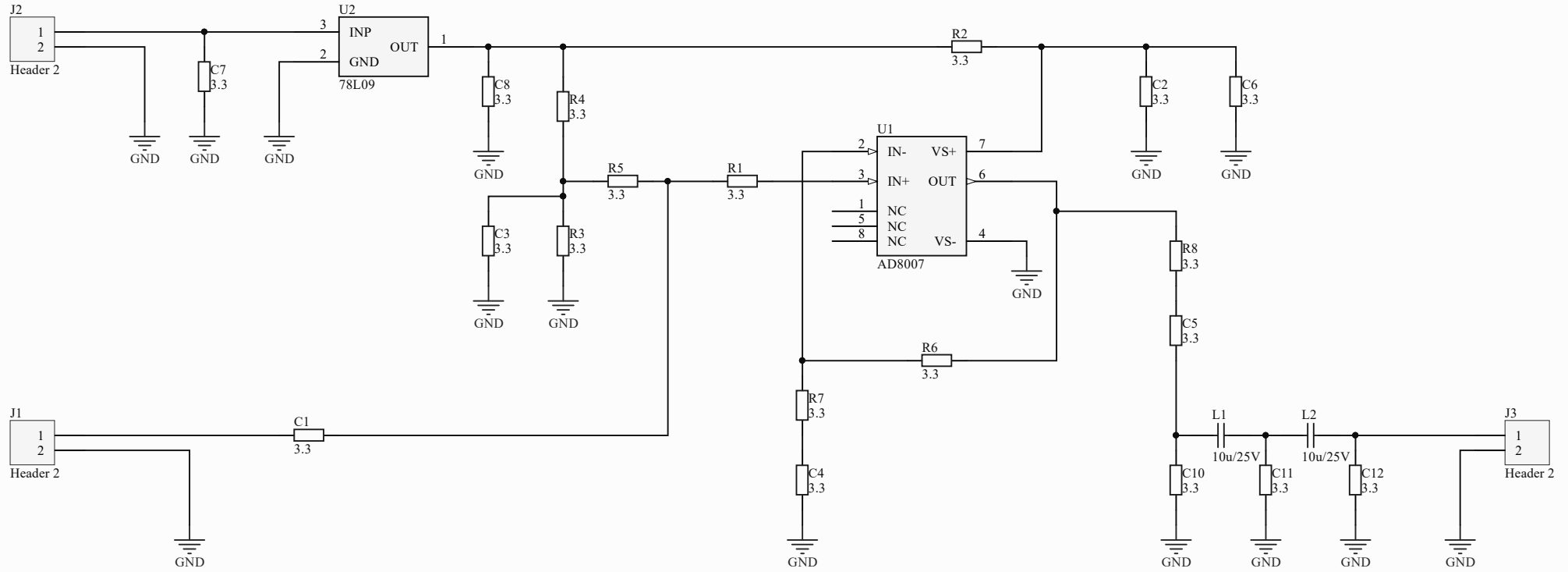
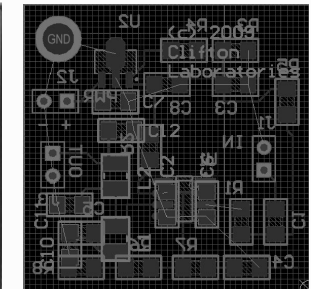
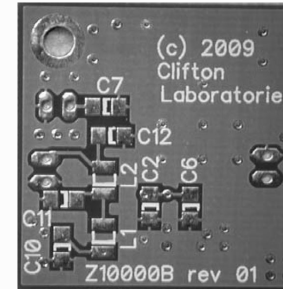
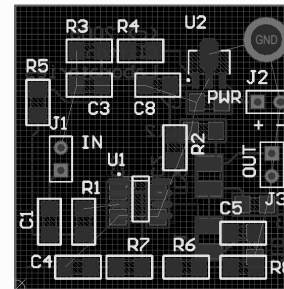
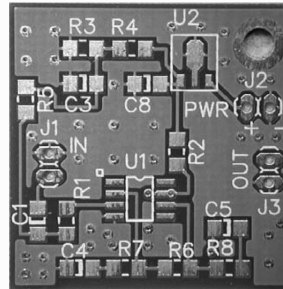


NOTA: LOS COMPONENTES NO COINCIDEN. SELECCIONADOS POR PCB FOOT.



Z10000B-U substitution.
 When designing PCB be careful to keep original size, component positions and ground planes shapes.
 More info: <http://www.cliftonlaboratories.com/Documents/Z10000B-U%20v1r02%20Manual.pdf>



Title		
Size	Number	Revision
A4		
Date:	18/07/2016	Sheet of
File:	C:\Users\...\Z10000B-U.SchDoc	Drawn By:

