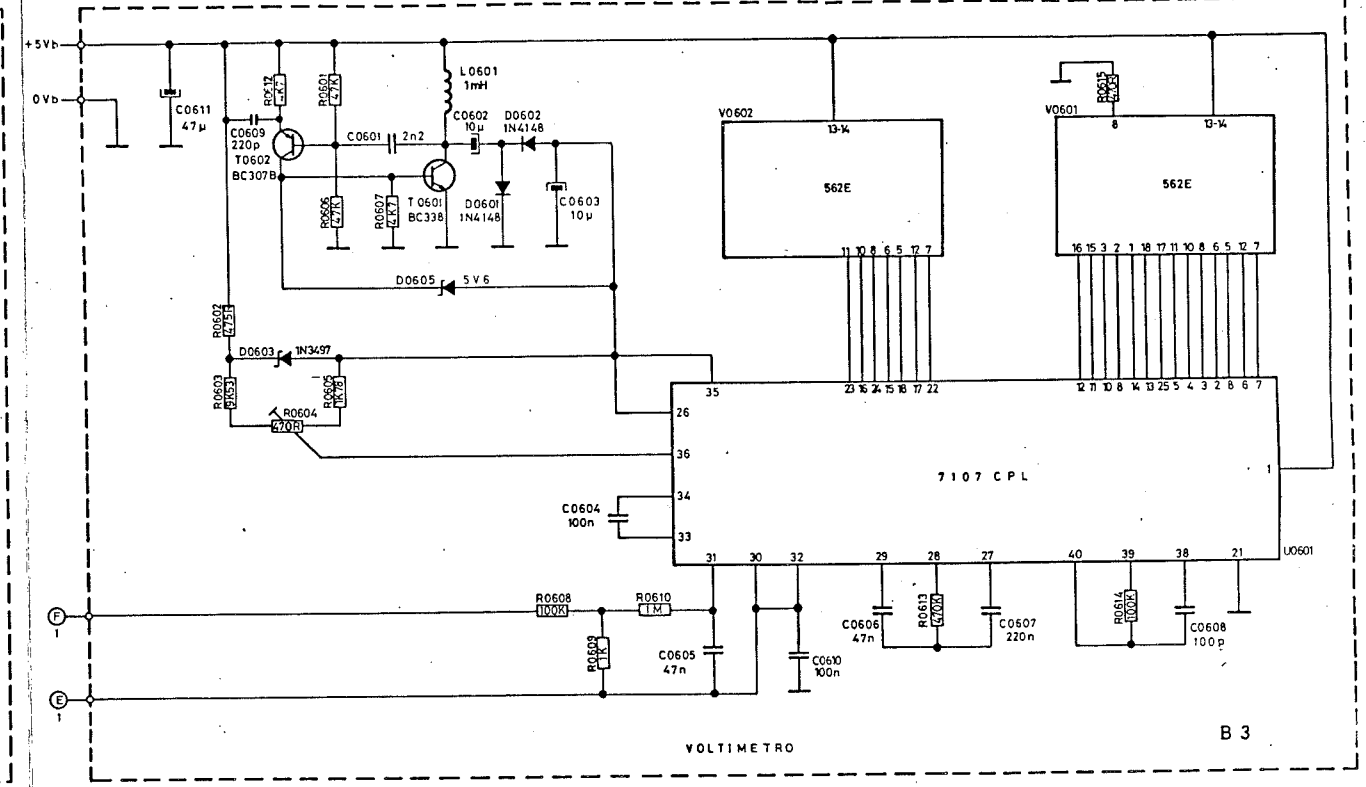
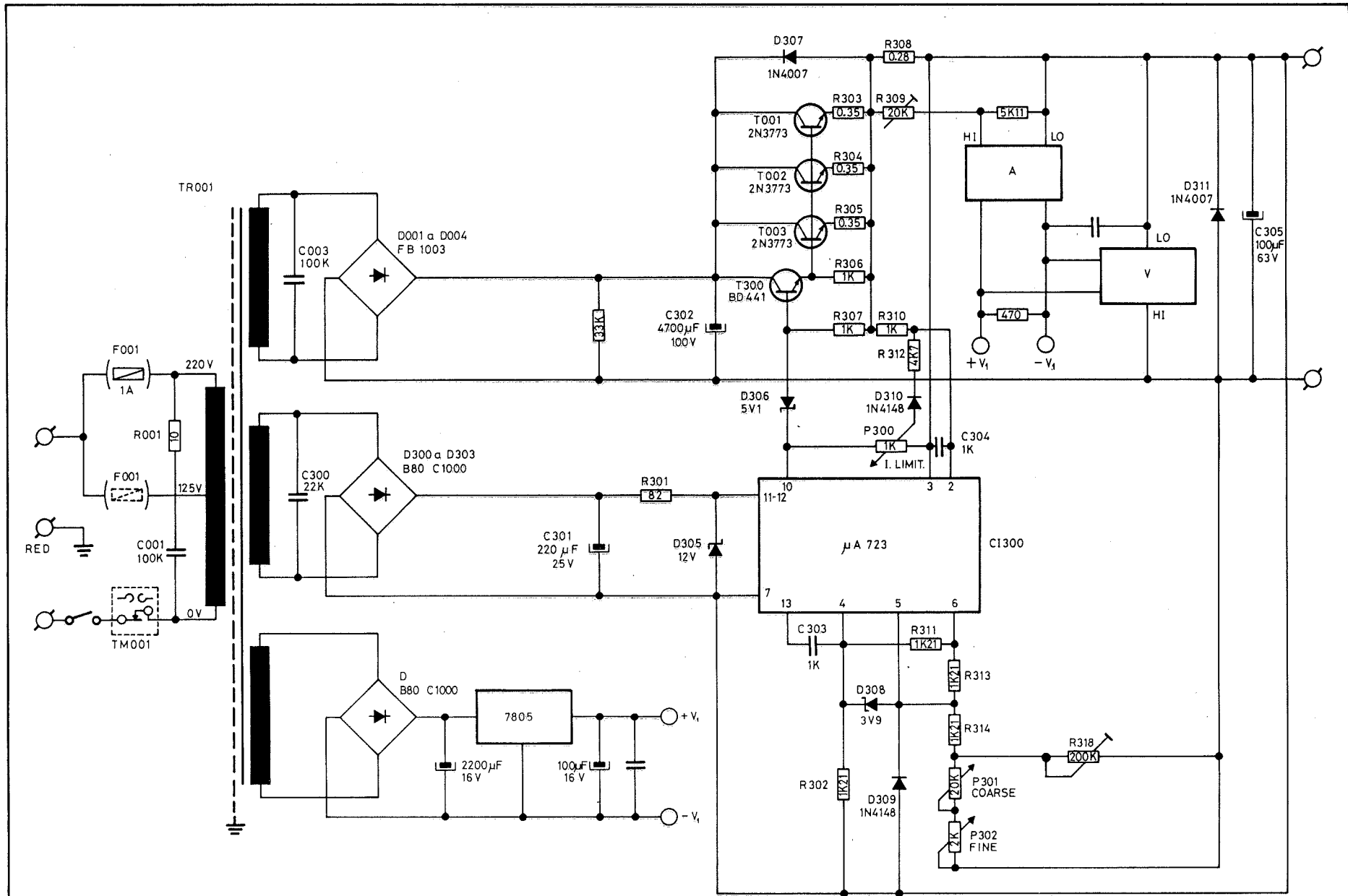


AMPERIMETRO B 2



VOLTIMETRO B 3



ESQUEMA GENERAL  
 GENERAL DIAGRAM  
 MOD. FAC-522 B

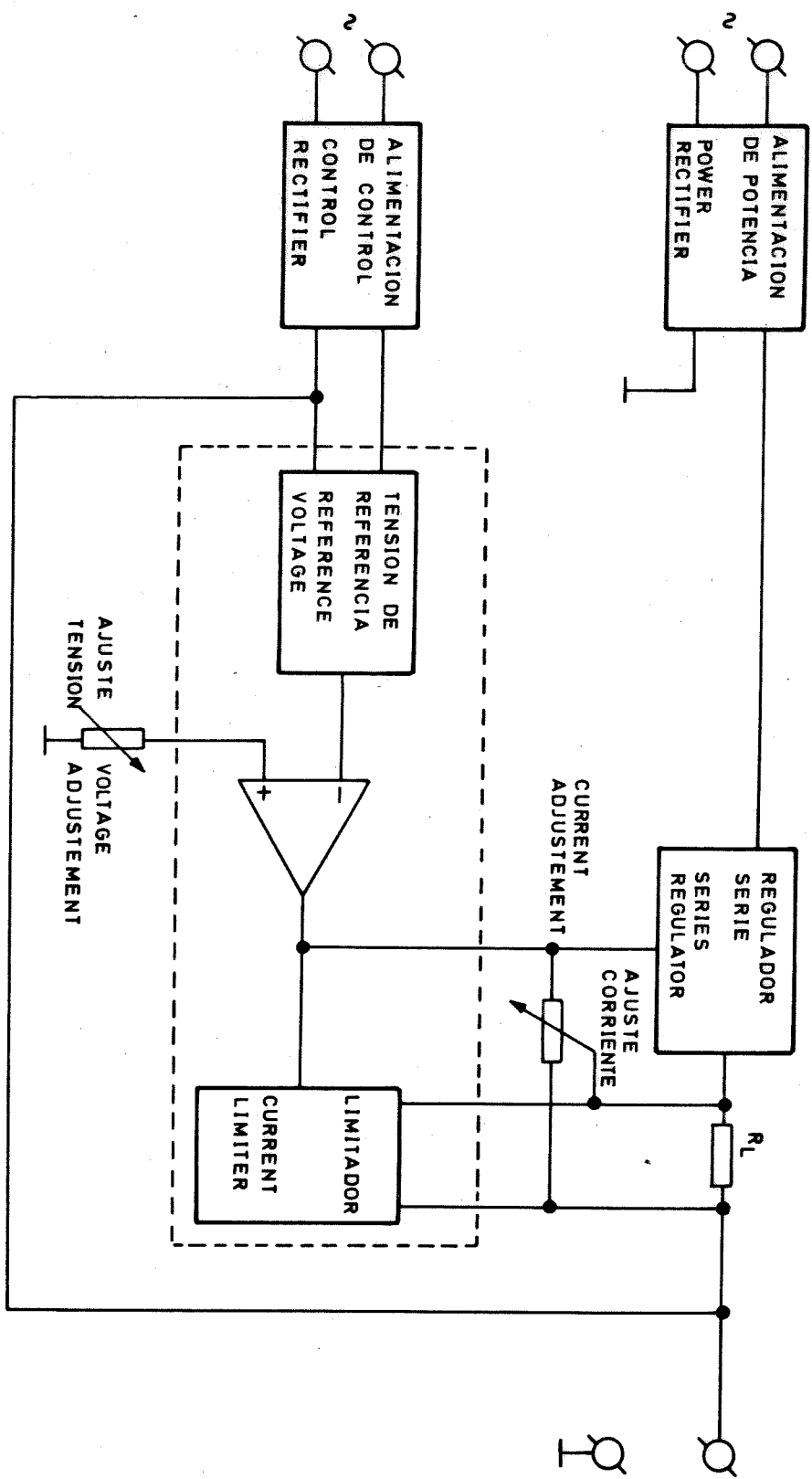


DIAGRAMA DE BLOQUES  
 BLOCK DIAGRAM  
 MOD. FAC-522 B

Fig. 2