

STRICTLY CONFIDENTIAL

For Philips
Service Dealers only
Copyright

Radiotechn. Bedrijf
J. G. VAN DOGEWAARD N.V.
Churchillweg 46 - Wageningen
Tel. 4951 *

Published by
THE CENTRAL SERVICE DIVISION
N.V. Philips' Gloeilampenfabrieken
Eindhoven

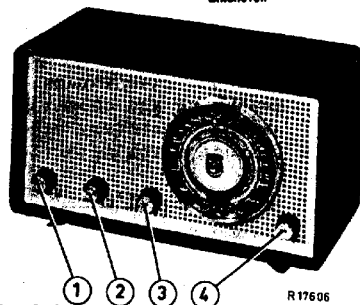
Ned. Ver. v. Historie v/d Radio

PHILIPS

SERVICE NOTES

for the receivers

B2X 76 U-61-62-65-94-95-98



R 17606

1958. For A.C. and D.C. mains supply.

Control knobs

From left to right:

1. Mains switch and volume control
2. Tone control
3. Waverange switch
4. Tuning

Tubes

B1 : UCH81
B2 : UF89
B3 : UBC81
B4 : UL84
B5 : UY42

Dial lamp

8009 D-07

Waveranges

B2X76U-61-62-65

M.W.: 517-1610 kc/s (186 - 580 m)
S.W.: 4.75-18.1 Mc/s (16.6-63.2 m)

I.F.

452 kc/s.

Mains voltage

220 V - 110, 125 V

Consumption

52 W to 220 V
18 W to 110 V
27 W to 125 V

Loudspeaker

Type AD 2500 X

Dimensions

Width : 312 mm
Height: 177 mm
Depth : 189 mm

B2X76U-94-95-98

M.W. 517-1610 kc/s (186-580m)
S.W. 3.2-12.05 Mc/s (25-93.7m)

Bandwidth

The I.F. bandwidth (B10) measured from g1B1 is about 10 kc/s at 452 kc/s. The overall bandwidth measured from the aerial connection is about 9 kc/s at 1000 kc/s.

93 992 70.1.05

Trimming of the receiver

When the receiver is connected to an A.C. voltage mains, for measuring and checking purposes, an isolating transformer with not earthed secondary winding should be applied.

Connect a voltmeter to the loudspeaker connections.

I.F. band pass filter

Volume control to maximum.

Unscrew the cores of S5, S6, S7 and S8 as far as possible.

Turn the variable capacitor so that it is completely enmeshed (max. capacitance).

	Waverange	Variable capacitor in position	Signal	Trim for max. output voltage
I.F. band pass filter	M.W.	Maximum capacitance	452 kc/s via 33,000 pF to g1B1	S8, S7, S5, S6, S7

R.F. and oscillator circuits

Volume control to minimum. Apply a fixed negative bias voltage of 2 V to the point of junction, C7-R4-R17.

Apply modulated signals to the aerial socket via a normal dummy aerial and adjust the R.F. circuits to maximum voltage with the volume control in maximum position.

B2X76U-61-62-65

Waverange switch	Variable capacitor	Trimming frequency	Trim for max. output voltage	repeat
S.W.	Max.	4,7 Mc/s	S16, S13	
S.W.	Min.	18.3 Mc/s	C8	
M.W.	Max.	507 kc/s	C4, S1, S2	
M.W.	Min.	1630 kc/s	C27, C6	

B2X76U-94-95-98

Waverange switch	Variable capacitor	Trimming frequency	Trim for max. output voltage	repeat
S.W.	Max.	3.15 Mc/s	S16, S13	
S.W.	Min.	12.2 Mc/s	C8	
M.W.	Max.	507 kc/s	C4, S1, S2	
M.W.	Min.	1630 kc/s	C27, C6	

LIST OF PARTS

When ordering always quote:

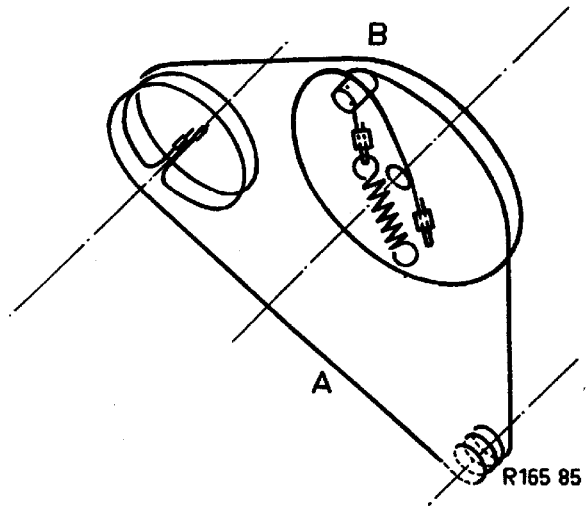
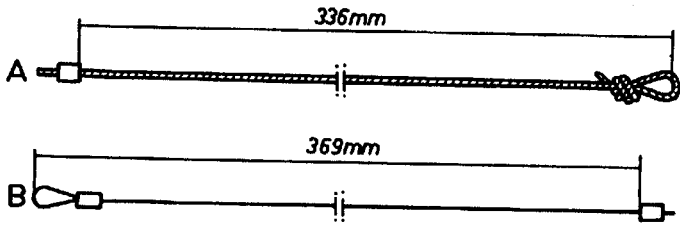
1. Code number and colour
2. Description
3. Type number of the set

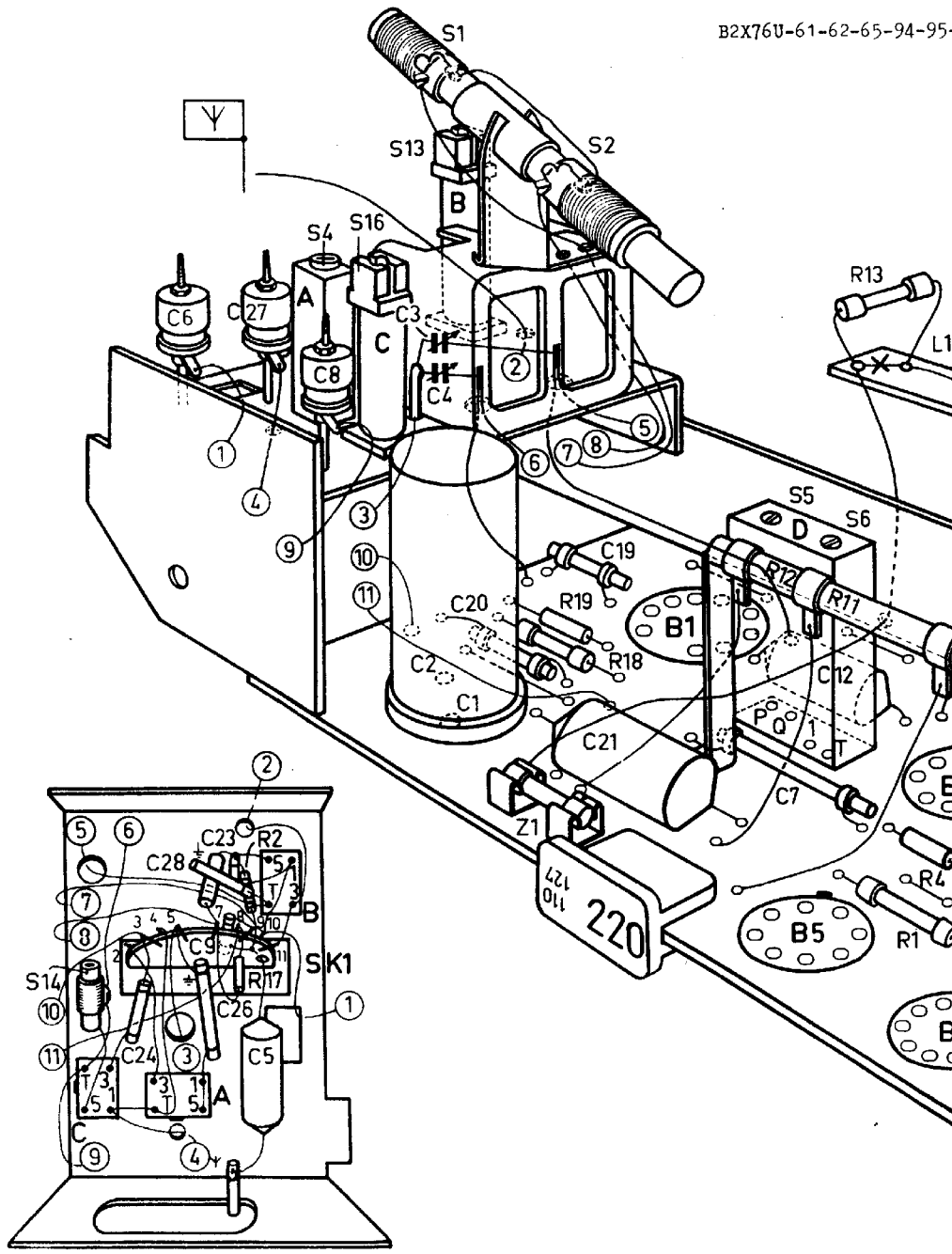
		Description	Code number
	B2X76U-61-94	Cabinet	A3 779 74
		Knobs	A3 772 63
		Plexiglass cover plate for dial	A3 412 78
	B2X76U-98-95-62	Cabinet	A3 770 88
		Knobs	A3 769 59
		Plexiglass cover plate for dial	A3 410 46
	B2X76U-65	Cabinet	A3 770 88
		Knobs	A3 769 61
		Plexiglass cover plate for dial	A3 410 46
		Switch voltage adaptor	A3 230 10
		Dial B2X76U-61	A3 925 40
		62	A3 925 41
		65	A3 924 80
		94	A3 925 32
		95	A3 925 14
		98	A3 924 83

S1)			9 22/01	R1	2700	Ω	E 001 AG/A2K7
S2)				R2	10	kΩ	9 00/10K
S3)			9 23/185-590M	R3	15	kΩ	900 /15K
S4)				R4	2.7	MΩ	9 00/2M7
S5)				R5)	0.05	MΩ	9 16/DL50K+450K
S6)				R6)	0.45	MΩ	
C10)	195	pF	9 25/452-2	R7	6.8	MΩ	9 00/6M8
C11)	195	pF		R8	0.22	MΩ	9 00/220K
S7)				R9	0.56	MΩ	9 00/560K
S8)				R10	150	Ω	9 00/150E
C13)	195	pF	9 25/452-2	R11)	950	Ω	B1 634 19
C14)	195	pF		R12)	130	Ω	
S9)				R13			49 379 55
S9a)			A3 153 51	R14	1	kΩ	9 00/1K
S10)				R16	47	kΩ	9 00/47K
S11			AD 2500 X	R17	0.1	MΩ	9 00/100K
S12)				R18	120	kΩ	9 00/120K
S13)			A3 802 16	R19	47	kΩ	9 00/47K
S14			A3 118 45				
S15)				<u>B2X76U-94-95-98</u>			
S16)			A3 802 51	S12)			A3 802 52
C1)	50	μF		S13)			
C2)	50	μF	AC 5306/50+50	S15)			9 23/30-90M
C3)				S16)			
C4)			49 001 93	C24	240	pF	9 05/240E
C5	1000	pF	9 06/V1K	R18	0.12	MΩ	9 00/120K
C6	30	pF	9 08/30E	R19	47	kΩ	9 00/47K
C7	22000	pF	9 04/22K				
C8	30	pF	9 08/30E				
C9	470	pF	9 04/470E				
C12	82000	pF	9 06/82K				
C15	100	pF	9 04/100E				
C16	10000	pF	9 04/10K				
C17	10000	pF	9 04/10K				
C18	10000	pF	9 04/10K				
C19	47	pF	9 04/47E				
C20	220	pF	9 04/220E				
C21	10000	pF	9 06/V10K				
C22	220	pF	9 04/220E				
C23	3000	pF	9 05/3K				
C24	240	pF	9 05/240E				
C25	4700	pF	9 06/4K7				
C26	470	pF	9 05/470E				
C27	30	pF	9 08/30E				
C28	25	pF	9 07/6E-25E				
C30	100	pF	9 04/100E				


FW/MK

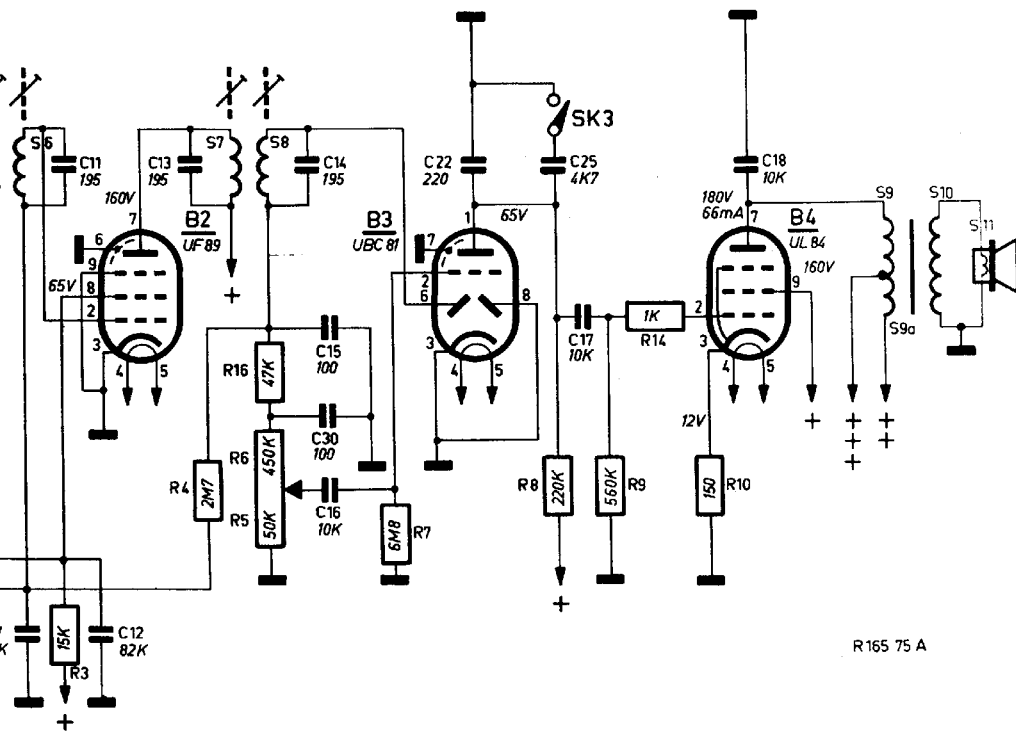
B2X76U-61-62-65-93-95-98





-62-65-94-95-96

6.	7.	8.	9.9a.		10.	11.					
7.	11.	12.	13.	14.	15.	30.	16.	22.	25.	17.	18.
3.	4.	16.	6.5.	7.	8.	9.	14.	10.			



R165 75 A

++
+