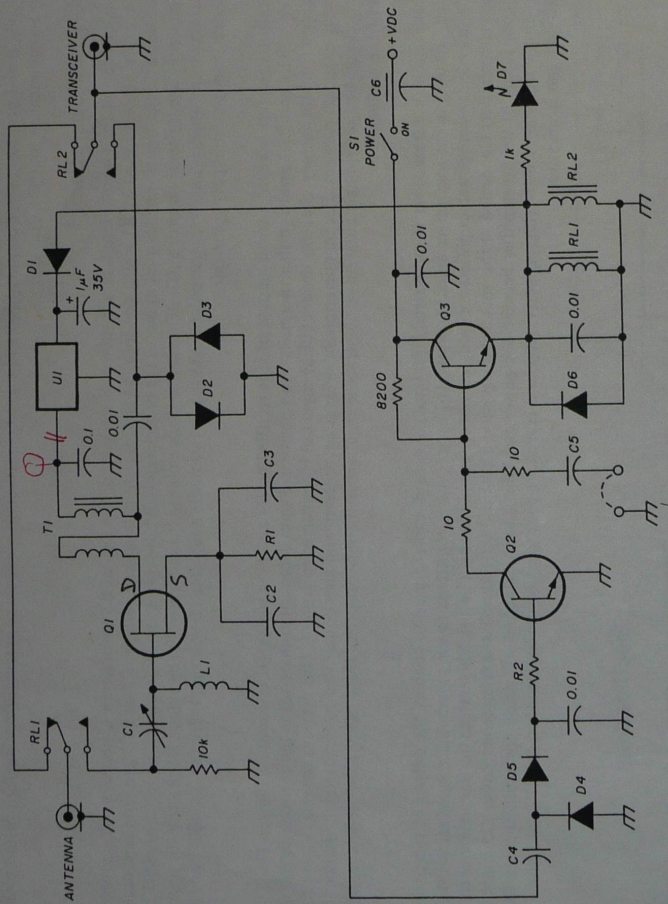


Warranty

All Advanced Receiver Research products are warranted against defects in materials and workmanship. This warranty applies for one year from the date of delivery. We will repair or replace products which prove to be defective during the warranty period provided they are returned to Advanced Receiver Research. Shipment should not be made without prior authorization by Advanced Receiver Research. No other warranties are expressed or implied. We are not liable for consequential damages.

This warranty does not apply to any product repaired or altered by persons not authorized by Advanced Receiver Research, or not in accordance with instructions furnished by Advanced Receiver Research. If the unit is found to be defective as a result of misuse, improper repair, or abnormal conditions of operation, repairs will be billed at cost.



Model	C1	C4	L1	T1
SP50VDG	20 pF	10 pF	21T No. 30 T-25-12	16T No. 32 FT-23-61 bifilar
SP144VDG	5 pF	10 pF	6T No. 20 0.3125 dia.	15T No. 32 FT-23-63 bifilar
SP220VDG	5 pF	10 pF	5T No. 20 0.250 dia.	11T No. 32 FT-23-63 bifilar
SP432VDG	5 pF	5 pF	3T No. 20 0.125 dia.	5T No. 32 FT-23-63 bifilar

All Models:

- C2, C3 — .001 μ F chip
- C5 — 47 μ F
- C6 — .001 μ F feedthrough
- D1-D6 — 1N4152
- D7 — LED
- Q1 — MGF-1402
- Q2, Q3 — MPS222A
- Q1 — 100-ohm chip
- R2 — 1000 ohm
- RL1, RL2 — Omron G4Y-152P
- S1 — SPST miniature
- U1 — MC78L05

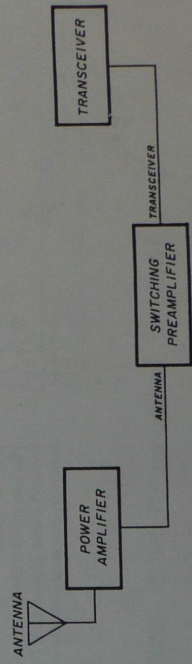


Fig. 1.