

ACCESSORIES (OPTION)

■ SP-430 EXTERNAL SPEAKER

The SP-430 is an external speaker designed for use with the TS-711A/E. It matches the transceiver in styling and tone quality.

■ MB-430 MOBILE MOUNT KIT

Mobile mount designed for the TS-711A/E. It allows easy installation and removal the transceiver.

The MB-430 can either be suspended from the dashboard or attached to the transmission tunnel or a center console. The transceiver tilt angle can be adjusted 5 steps.

■ MC-60A

Deluxe Desk-Top Microphone with UP/DOWN Switch (Built-in preamplifier, 8 pin plug)

■ MC-80

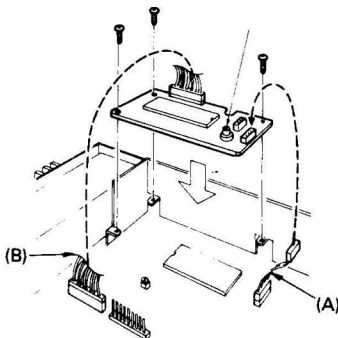
Desk-Top UP/DOWN Microphone with built-in Pre-Amplifier (8 pin)
Electret condenser microphone

■ VS-1 (VOICE SYNTHESIZER UNIT)

When the voice synthesizer unit is installed in your transceiver, current information can be monitored. By depressing the front panel VOICE switch, the current status can be confirmed, without looking at the transceiver.

Mounting procedure:

1. Remove 8 screws from the transceiver top cover with a (+) screwdriver and remove the cover.
2. Connect jumper (A), supplied with the transceiver, as shown.
3. Secure the VS-1 unit on the mounting space with 3 screws supplied.
4. Connect the 3-pin blue plug of lead (A) to the mating jack of the VS-1 unit as shown by the arrow.
5. Connect the 10-pin plug jumper (B), supplied with the transceiver, between the VS-1 unit and the transceiver control unit, as shown.
6. Reverse step 1 to complete the mounting procedure.



■ MC-85

Deluxe Desk-Top UP/DOWN Microphone with built-in Speech Compressor. (8 pin)
Electret condenser microphone

■ MC-42S

UP/DOWN Microphone (8 pin plug)

■ MC-48 TOUCH TONE MICROPHONE (For users in U.S.A. only)

■ HS-5 Headphone

■ HS-6 Headphone

■ CD-10 CALL SIGN DISPLAY

■ PG-2J DC CABLE

■ TU-5 SUBTONE UNIT (For the TS-711A only)

When the TU-5 is mounted, any sub tone frequency from 67.0 Hz (01 ch) through 250.3 Hz (37 ch) may be selected.

Mounting procedure:

Ensure the TS-711A POWER switch is OFF.

1. Remove 8 screws from the TS-711A top cover and remove the top cover.
2. Remove the stand-off screw. The screw will be used to secure the TU-5 tone unit.
3. Align the TU-5 unit as shown in the figure and plug the unit onto the 10-pin connector (J7).
4. Secure the unit on the stand-off with the screw.
5. Reverse step 1) to complete the TU-5 unit mounting.
To select the desired tone frequency, press the SELECT switch to change the tone frequency display. The desired tone frequency can be selected with the main dial or the mic UP/DOWN switch.

