

Application:

The AT92 Series antenna is a high quality glass fibre transmitting antenna for marine coastal and HF telephony bands. It matches well all modern SSB marine telephony transmitters.

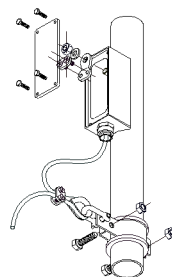
The AT92 Series is available as a two piece antenna as standard with end-fed or side-fed options.

Electrical specifications:

Frequency range	1.6-30 MHz
Power rating	1.5 kW PEP
Impedance	See table on page 3
Pattern	Omnidirectional
Polarization	Vertical
Electrical length	8.5 m (28 ft)

Mechanical specifications:

Design	Self supporting fiberglass rod with stainless steel armature
Height	9 m (30 ft) nominal
Weight	See table on page 2
Sections	See table on page 2
Wind rating	55 m/s = 125 mph
Moment of flexure	120 kpm at 55 m/s
Deflection due to wind load	5.8 m (19 ft) at tip ball at 55 m/s wind load 3.8 m (12.5 ft) at tip ball at 33 m/s wind load
Finish	Polyurethane lacquer, white. Other colours available on request
Temperature range	-55 °C, +55 °C; -67 °F, +131 °F
Water proofing	IP67



Side-feed assy.

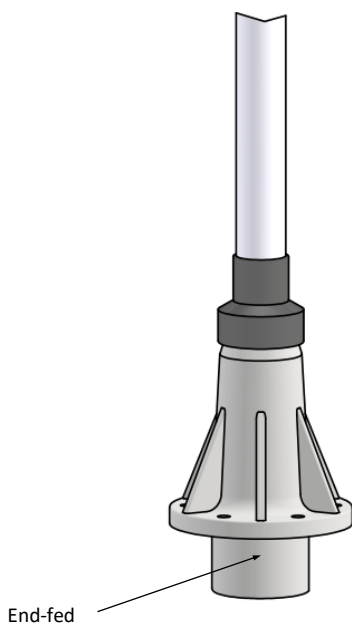
The AT92 Series is suited to deck, pole or bulkhead mounting. End-fed and side-fed options are available. If the end-fed insulator is not long enough, extensions are available.

See page 2 for all mounting options.

Dimension & Weights

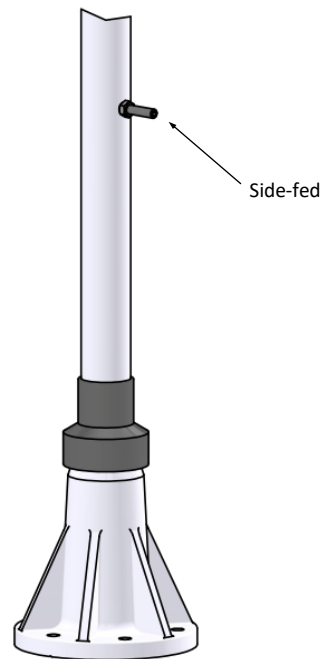
	AT92 Series
Dimensions	Lower section 4m nominal Upper section 5m nominal
Weight	Deck mount, End-fed: 11.5 kg Deck mount, Side-fed: 10.5 Kg Mast mount, side fed: 8.5 kg
Sections	Base section - Deck mount, End-fed: AXB42D - 8 kg Base section - Deck mount, Side-fed: AXB42DS - 7 kg Base section - Mast mount, side fed: AXB42 - 5 kg Top section: APB50 - 3.5 kg

Mounting and Feed Options



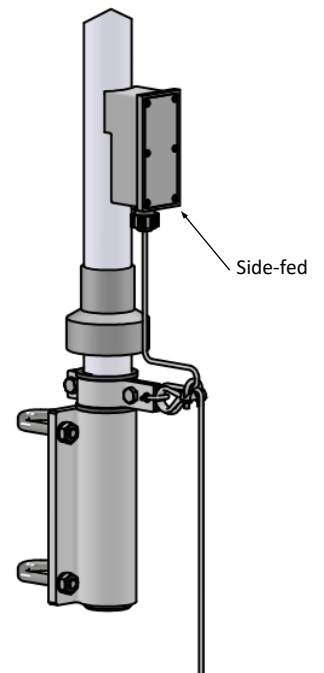
AT92D

Deck mounted, end-fed



AT92DS

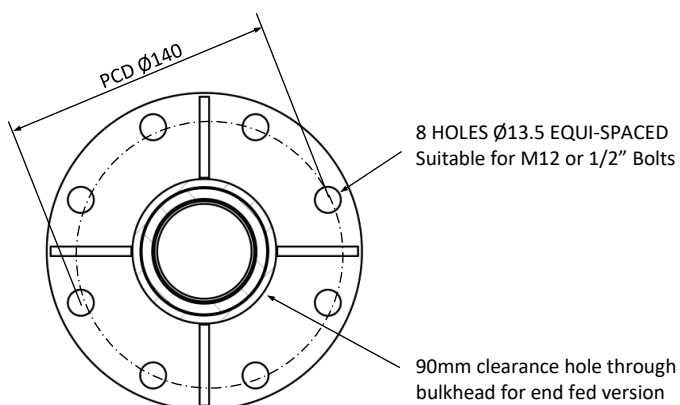
Deck mounted, side-fed
Fed cable positioned 500mm above the mounting flange



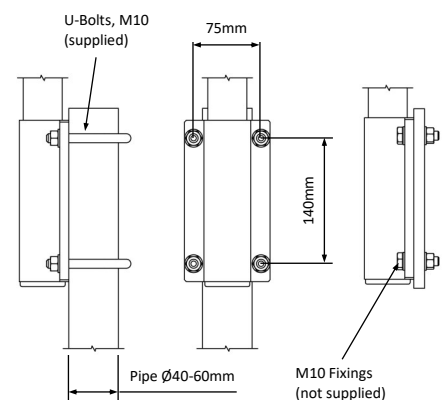
AT92M

Pole or bulkhead mounted,
side-fed

Base flange mounting (AT92D and AT92 DS)



Pole/bulkhead mounting



Impedance at CF and HF

Frequency in MHz, normal installation

Frequency (MHz)	Impedance AT92 Series
1.6	4-j950
2.0	5-j720
3.0	6-j400
4.0	10.2-j259
5.0	17.9-j123
6.0	30-j8.4
7.0	50+j103.6
8.0	84.5+j226
10.0	298+j570
12.0	1593+j479
16.0	127.8-j391
18.0	58.1-j137
22.0	180.2-j380
25.0	997-j68
30.0	130.4-j160.6